



How to Connect an Alarm Output Device to a Uniview NVR?

Title	How to Connect an Alarm Output Device to a Uniview NVR?	Version:	V1.1
Product	NVR	Date	9/26/2023

How to Connect an Alarm Output Device to a Uniview NVR?

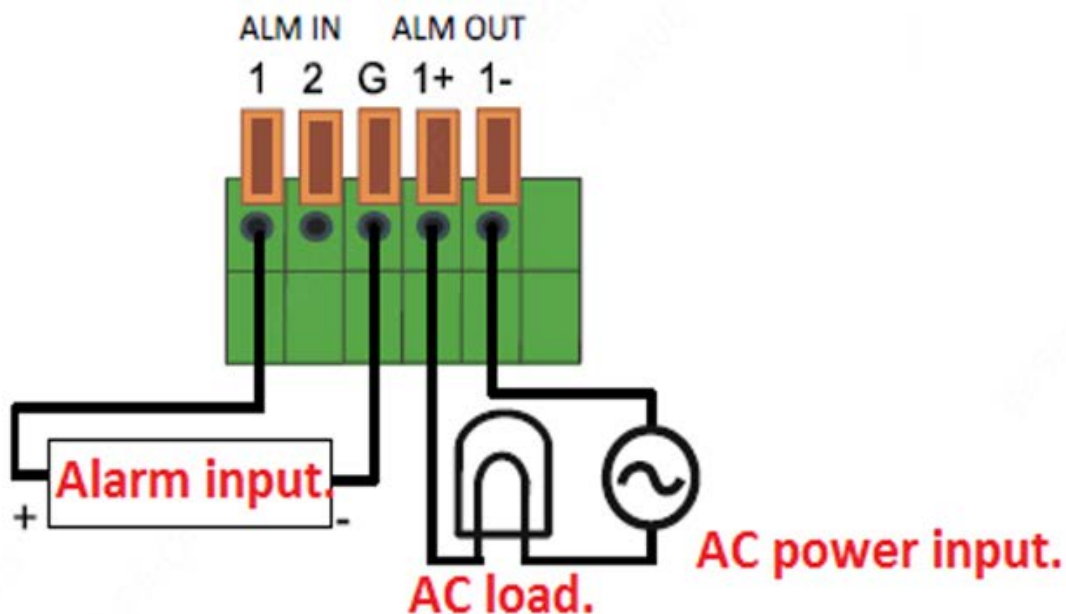
Description

Note: This method is applicable to most of the scenarios. If the method still cannot solve your problem, it is recommended to consult our Tech Support Team.

https://global.uniview.com/Support/Service_Hotline/

Operation Steps

Step 1 Please refer to the picture below to connect the alarm output device (AC load in the picture).



Step 2 Log into the NVR's web interface and set up the alarm output parameters under **Setup>Alarm>Alarm Output**.

Alarm Output

Alarm Output No.	<input type="text" value="A->1"/>
Default Status	<input type="text" value="N.O."/>
Alarm Duration	<input checked="" type="radio"/> Custom <input type="radio"/> Maximum
Relay Mode	<input type="text" value="Bistable"/>
Delay(s)	<input type="text" value="5"/>

Alarm Output No.: the alarm output port you are trying to configure. A->1 refers to the NVR's Alarm Output Port 1, A->2 refers to the NVR's Alarm Output Port 2, etc. D1->1

Title	How to Connect an Alarm Output Device to a Uniview NVR?	Version:	V1.1
Product	NVR	Date	9/26/2023

refers to the D1 camera's Alarm Output Port 1, D3->2 refers to the D3 camera's Alarm Output Port 2, etc.

Default Status:

N.O. : Normally Open.

N.C. : Normally Closed.

This needs to be set according to the attributes of the external alarm device.

Step 3 Click **Trigger** under **Setup>Alarm>Manual>Manual Alarm** to test and see if the alarm output device can be triggered.

